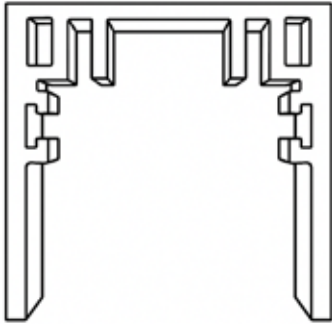


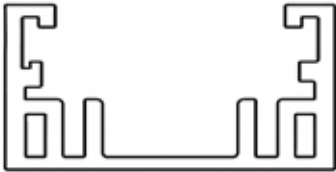
SCREEN SYSTEM COMPONENTS -



Top Track



Jamb (Bottom Milling) Jamb (Top Milling)



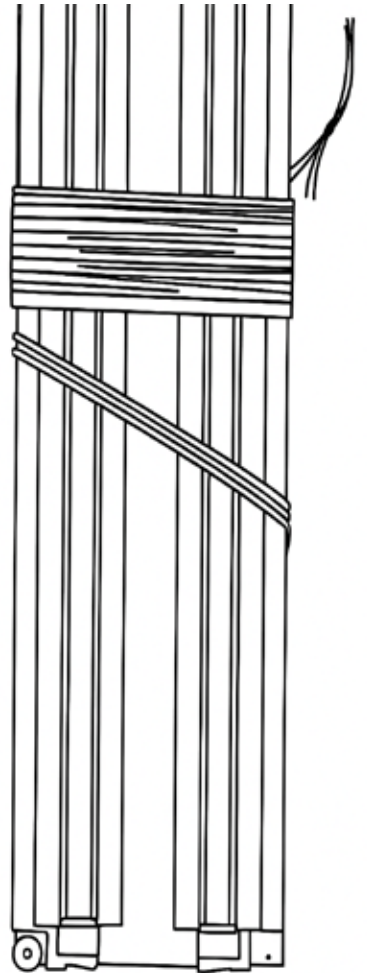
Bottom Track



Bottom Track Insert



Hardware Packet



Cassette Assembly

RECOMMENDED TOOLS -



Ladder



Utility Knife



Saw Horses



Flat Shims



Screw Gun (PH#2 / T20 Bits)



Laser Level



Masking Tape



screen solutions

SCREEN SYSTEM INSTALLATION GUIDELINES
(VISIT <https://integratescreensolutions.com/installation/> FOR INSTALLATION VIDEOS)

Step #1 Verify Order and Components

Check Job / P.O.# and verify Screen System Matches Size Ordered

Step #2 Prepare Components on Sawhorses

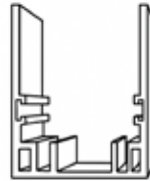
Place the cassette box and track boxes on sawhorses (recommended). Carefully open them, inspect components and proceed.



***** (Do NOT cut the cassette cords when opening the box.) *****

Step #3 Identify and Prepare Tracks

Identify the top and bottom tracks.
Remove the bottom track insert and place to the Side until the end of the installation



Top Track

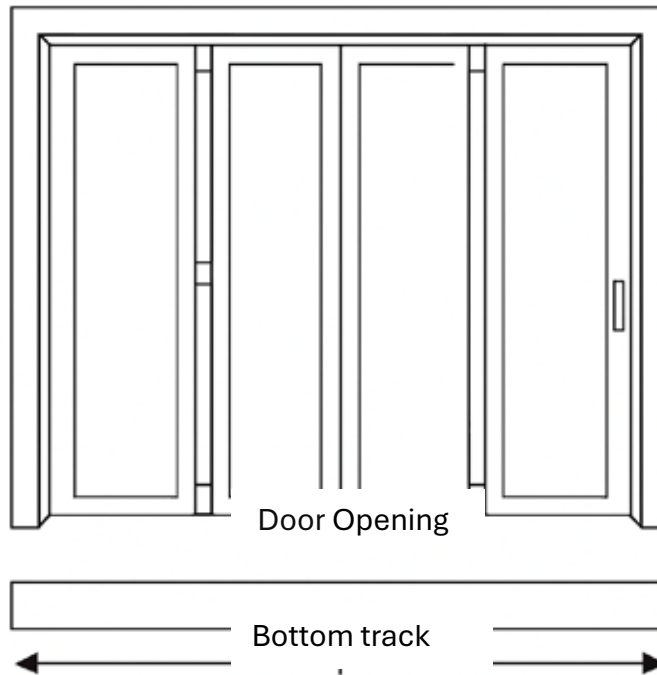


Bottom Track



Bottom Track Insert

Step #4 Position, Level and Attach Bottom Track



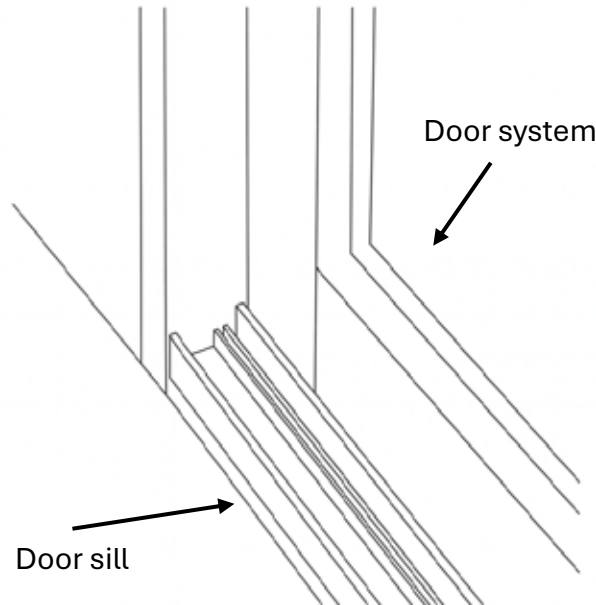
***If door opening is finished, you may have to trim the length of the top and bottom tracks. Screen height cannot be trimmed.

[P2]

screen solutions

Step #4 continued

If you are installing the screen up against a door system, level the screen bottom track to match the already leveled door sill. Properly shim, level, and fasten the bottom track of the screen system using the provided attachment holes, always place shims at or near attachment points.



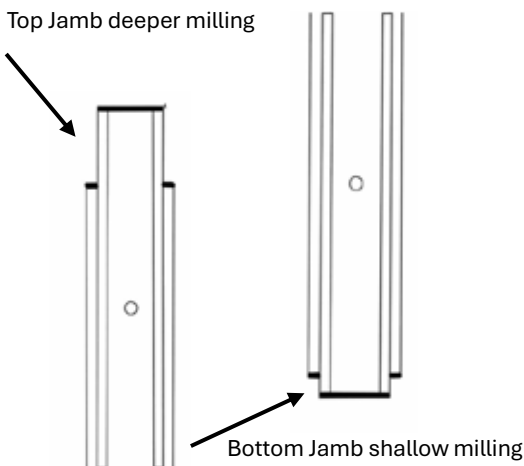
Use of a laser level is strongly recommended for this step.

Step #5 Install Collected Jamb

Identify the two jamps.

- Standard jamps are identical and reversible (either side).
- If equipped with the **jamb extender option**, the extended jamb has a 1" build-out and is marked with a sticker.

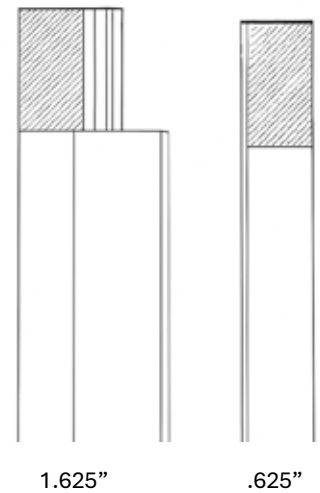
Install the **collected jamb** first (the side where the screen collects). This is **always** a standard-depth jamb (no extender). Ensure the **shallow-milled bottom** of the collected jamb is fully inserted into the bottom track, plumb it, and fasten securely.



For systems with jamb the extender option, the extended jamb must be installed on the deployed side, with magnets facing the center of the opening.

Standard jamb length= .625"

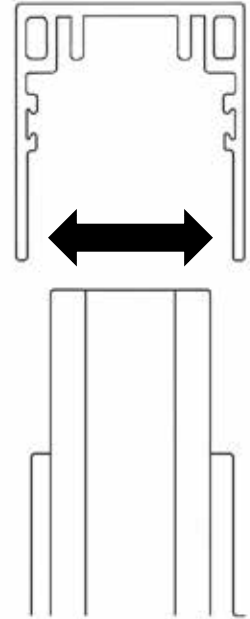
Extended jamb length= 1.625



[P3]

Step #6 Install Deployed Jamb and Top Track

- Installer 1 retrieves the deployed jamb from the sawhorses.
(If the system has the jamb extender option, use the extended jamb as the deployed jamb.)
- Installer 2 retrieves the top track from the sawhorses.
- Installer 1 places the bottom of the deployed jamb (shallow-milled side) into the bottom track, then leans the jamb inward toward the opening, leaving ample clearance at the top.
- Installer 2 slides the top track onto the already-installed collected jamb.
- Holding the top track against the top of the rough opening, Installer 1 slowly raises and slides the deployed jamb into the top track, ensuring it is centered.

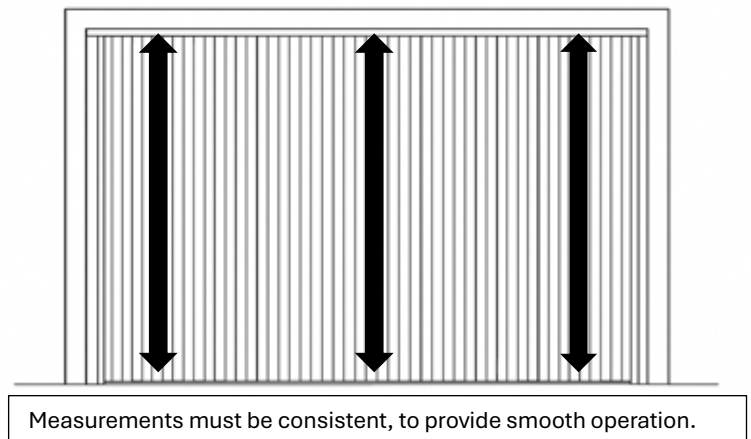


Step #7 Secure Top Track and Deployed Jamb

Shim, level, plumb, and fasten both the top track and deployed jamb using the provided attachment holes. Always place shims at attachment points.

Important:

- The milled portions of the jambs must be fully concealed by the top and bottom tracks.
- If tracks are separated or pinched, screen operation will be affected.



***The milled portion of the jambs should be completely concealed by the top & bottom tracks!

***If the tracks are separated or pinched, the operation of the screen system will be impacted!

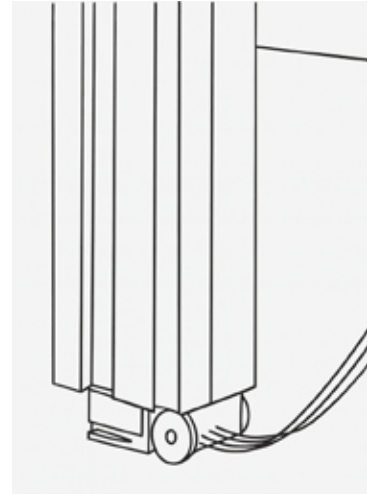
[P4]

Step #8 Unwind Cassette Cords

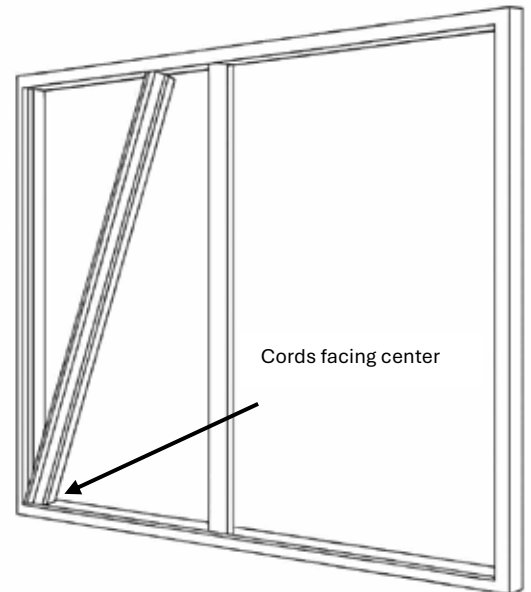
While components are still on the sawhorses, slowly unwind the cassette cords from both ends of the cassette. Keep cords clean (no dirt/debris) and avoid stepping on them.

***Do NOT remove the tape around the top and bottom of the cassette yet—this will be done later.

View both sides of the screen cassette to determine which direction your cassette will operate. The cassette is directionally universal; however the cords will be coming out of the cassette on the operational side, the side that slides back and forth in the opening. One end of the cassette will have a molding with wheels; this is the bottom of the operational side of the cassette.



Place the bottom of the screen into the bottom track at an angle towards the center with the bottom wheel guide and the cords facing the direction the screen will operate. Slowly tilt the screen into the top track and jamb until the magnets connect.

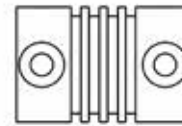


[P5]

Step #9 Secure Cassette and Prepare Cord Guides

Temporarily secure the cassette to the collected jamb using masking tape, a clamp, or an assistant to prevent it from falling during installation.

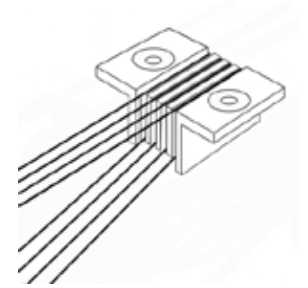
Remove the small hardware bag attached to the cassette and open it. Locate the two **track cord guides** (one for top track, one for bottom track).



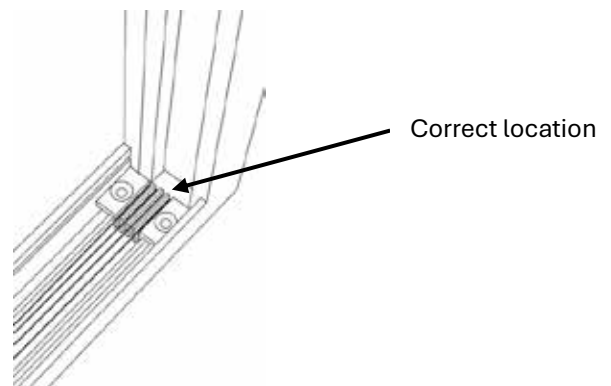
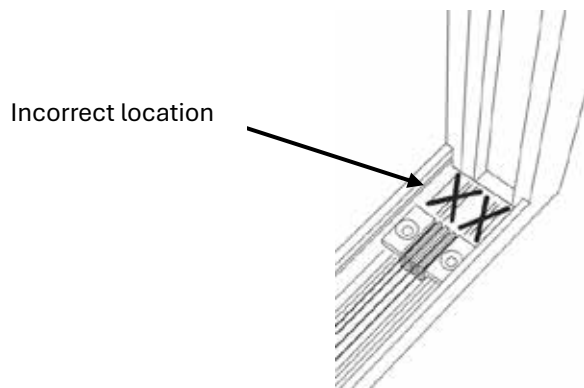
Cord guide

Step #10 Install Bottom Cords

- Using a cord guide, start near the cassette and carefully place the cords over their dedicated slot and loop them around and under the guide. (proper alignment is critical).



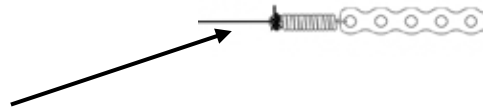
- Slowly slide the guide (keeping cords in order) toward the deployed jamb side.
- With cords correctly looped and untangled, place the guide in the bottom track. Slide it until it stops against the jamb, then attach it.



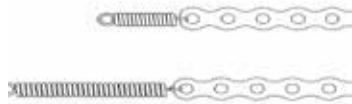
[P6]

Step #11 Install Bottom Track Cord Tension Spring Adjuster

- Untie the knot at the cord ends and gently pull each cord individually to remove slack and confirm they are free.
- Loop the cords through the available end of the spring on the spring attachment assembly.
- Hold the assembly near the labeled spring anchor hole in the track. Tie the cords to the spring with a secure knot (double knot recommended).
- Loop the spring attachment assembly under the operational cords and attach it to the spring anchor hole through the track.



A double knot must be tied.



When attaching the spring to the anchor hole extend the spring + 1/2 its original length evenly on the top and bottom to keep the cords taught and operation smooth.

Step #12 Install Top Cords and Final Cord Inspection

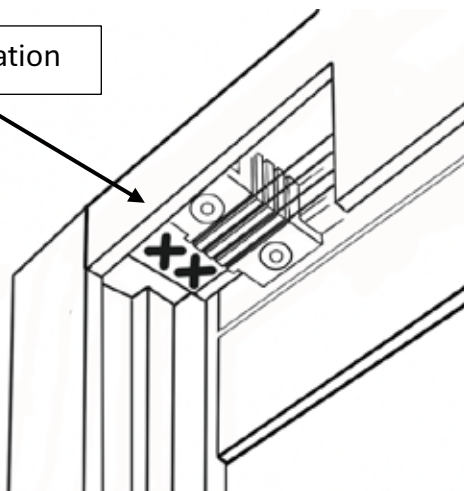
Repeat Step #10-11 process inverted for the top cords.

****Cord guide will be flipped opposite of the bottom. Cassette cords will start under the guide and loop around to be above the block and fastened through the top track.

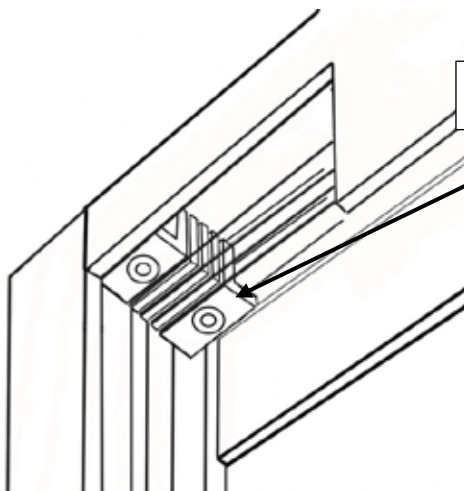
After both top and bottom are complete:

- Inspect cords along tracks for tangles or sagging.
- Cut excess cord, leaving ~1" past the knot.

Incorrect location



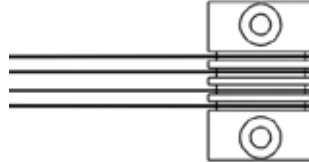
Correct location



[P7]

When top and bottom are complete, inspect the cords along the top and bottom tracks and make certain they are not tangled or sagging, then cut the excess cord with about 1" remaining past the string knot.

Cords must be aligned to ensure proper operation.



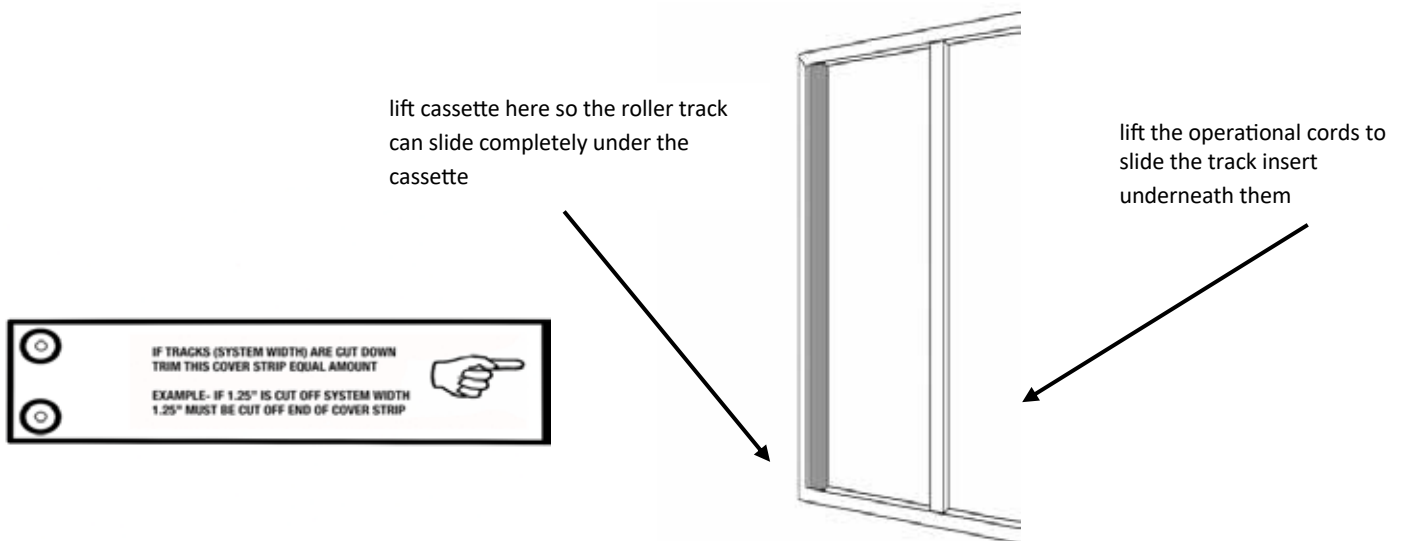
Step # 13 Reinstall Bottom Insert and Test Operation

Reinstall the bottom track insert. Lift the operational cords to slide the insert underneath; also lift the cassette slightly so the insert slides fully under the cassette. At this point there should be a .25"-.5" space between the cord guide and the track infill. Remove the tape from the cassette. Have one person hold the cassette at the retracted (collected) jamb. Operate the cassette across the opening.

If it operates freely:

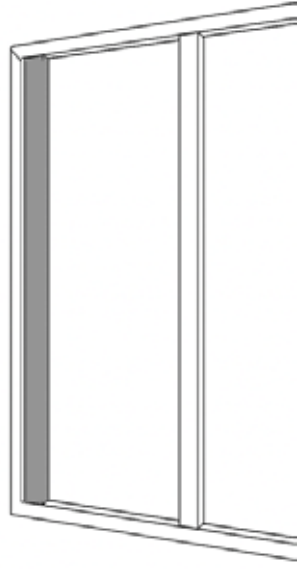
- If tracks (system width) are cut down, trim cover strip equal amount (reference sticker on track infill).
- Open the cassette and clear the mesh to expose the center attachment point.
- Attach the cassette through the retracted jamb using the provided hole and T20 self-tapping screw near the center of the cassette handle.

You may need to gently massage the mesh to release all pleats in the extended position.

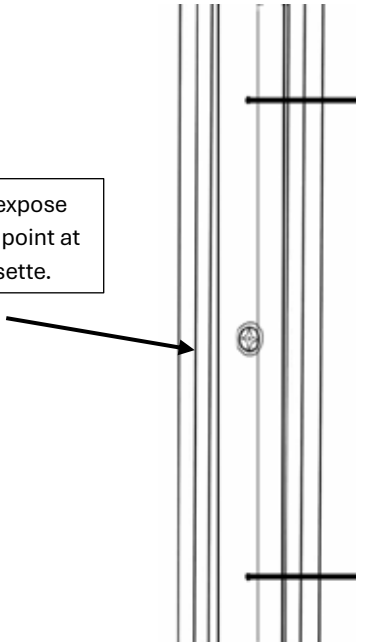


[P8]

Retracted jamb
attachment location



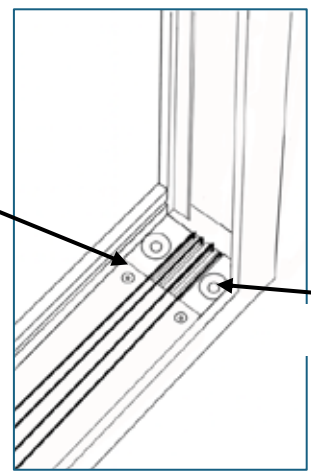
Pull back the mesh to expose
the predrilled mounting point at
the center of the cassette.



Step #14 Secure Bottom Track Infill

After the cassette is installed, anchored to the jamb, and operating smoothly, the final step is to slide the bottom track insert tight to the bottom cord guide, and attach with the provided screws. This allows for any expansion of the bottom track insert to take place under the cassette and will eliminate buckling.

bottom track insert tight to the
bottom cords guide



attach with the provided screws



Congratulations on completing the installation of your Integrate Screen System! For trouble shooting or questions, please feel free to contact us at support@integratescreens.com