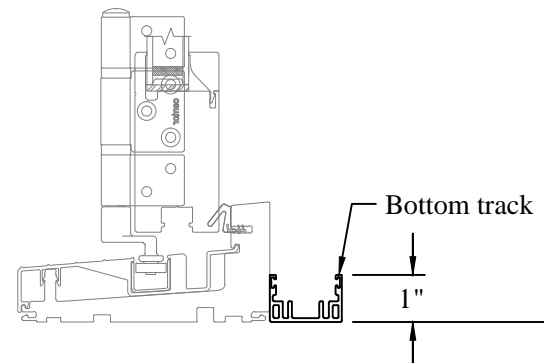
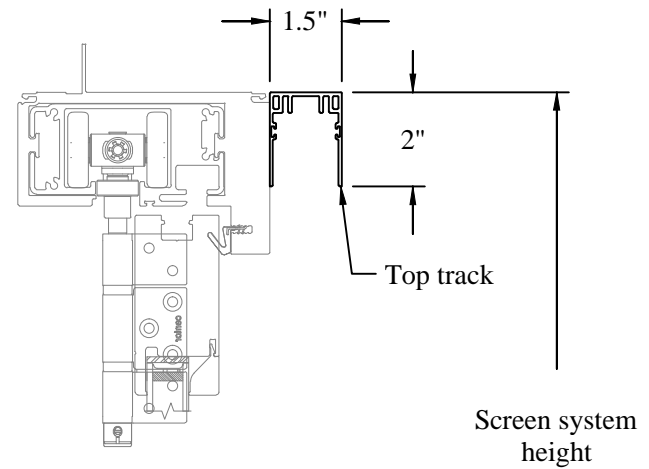


FLUSH TRANSITION



NON-FLUSH TRANSITION

INTERIOR ASSEMBLY TO FOLDING DOOR SILL

NOT TO SCALE



screen solutions