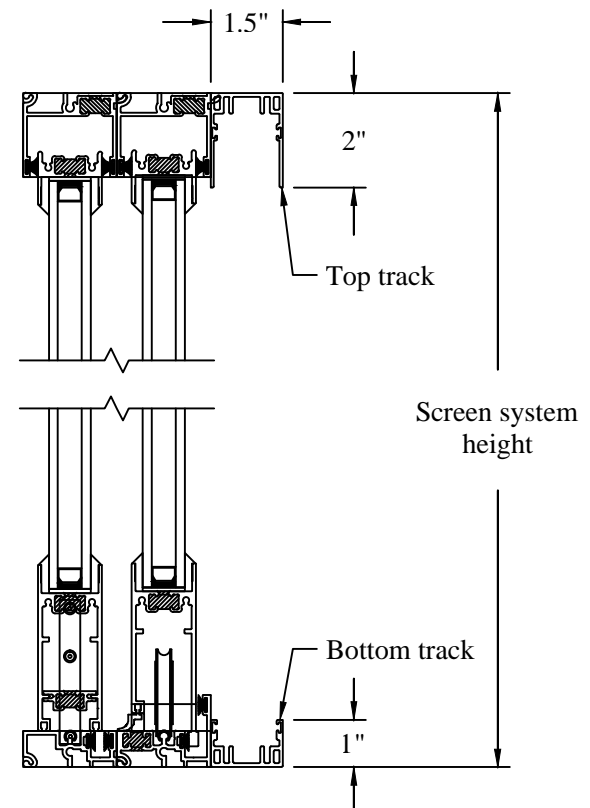


FLUSH TRANSITION



NON-FLUSH TRANSITION

ASSEMBLY TO DOOR SILL

NOT TO SCALE



screen solutions